

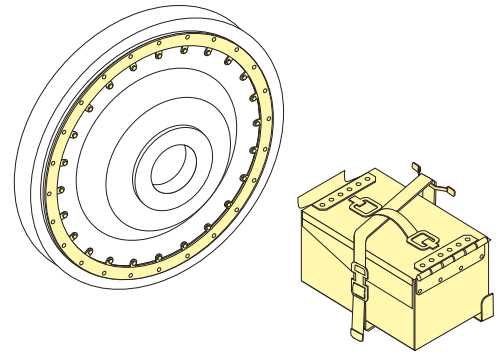
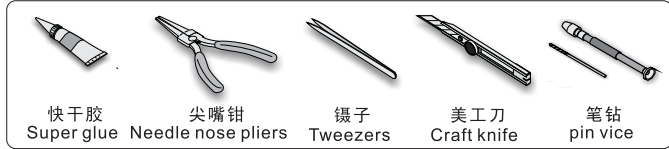
1/35 MILITARY MINIATURE VEHICLE UPGRADE SERIES PE16037










Modern US M551 Sheridan Airborne Tank Road Wheel Details&Ammo Boxes


现代美军M551谢里登轻型坦克轮毂细节及弹药箱

[For TAMIYA]

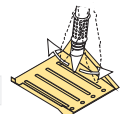
■ 推荐使用工具 RECOMMENDED TOOLS

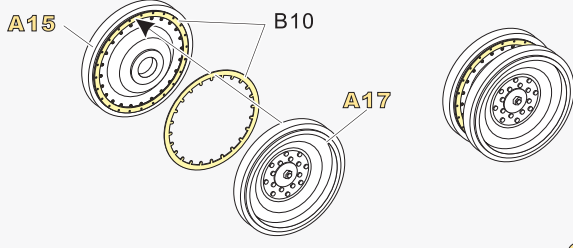


- 
 安装
install
- 
 折叠
bend
- A1**
 改造件零件编号
PE/resin part number
- B12**
 原零件编号
kit part number
- C22**
 被替换的原零件编号
replaced kit part number
- 
 另一侧相同制作
repeat on opposite side
- 
 切除
remove
- 
 打磨
grind off
- 
 弧度卷曲
radial bending
- x2**
 制作若干组
multiple assembly
- 
 选择安装
alternative
- 
 钻孔
drill
- 
 用胶棒制作
make from plastic rod

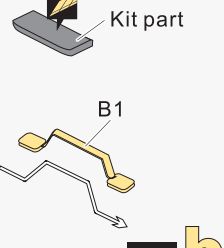

 用尖端在凹槽处冲压
use penpoint to press on the dent

蚀刻片零件内朝面向上
Put the part upside down
 用笔尖在凹槽处刺
Use penpoint to press on the dent



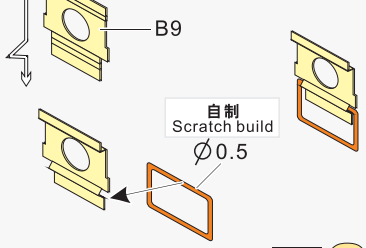


a



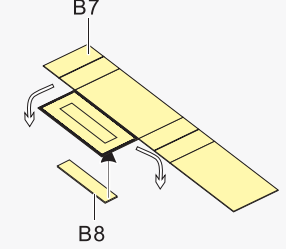
b

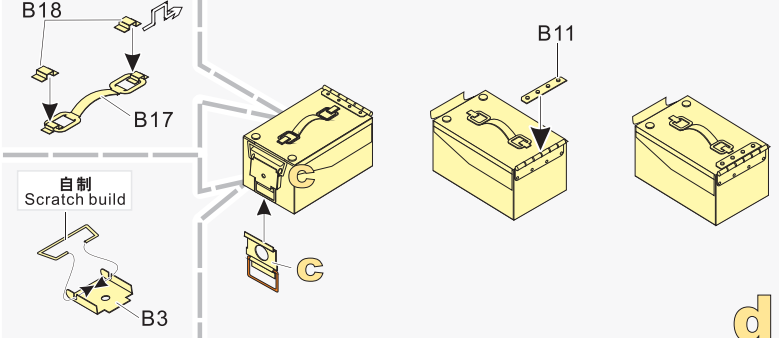
x70



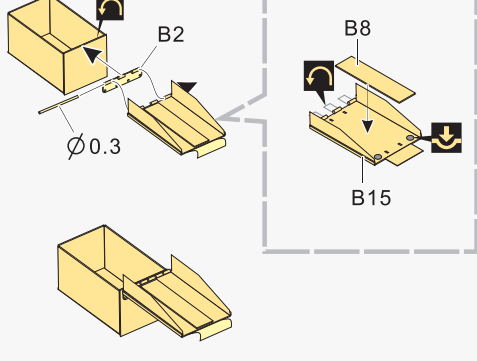
c

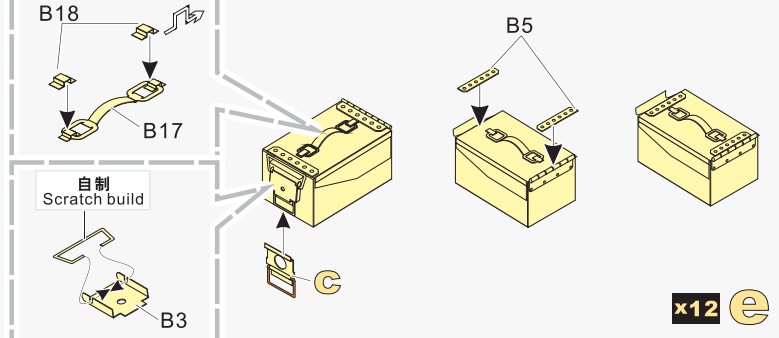
x10





d





e

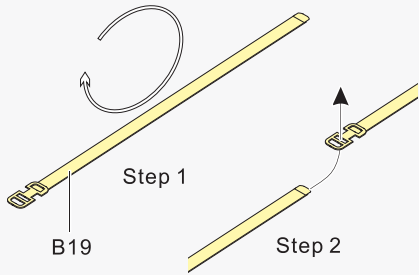
x12

1/2

©2003-2019 SHANGHAI VOYAGERMODEL Co.,LTD

1/35 MILITARY MINIATURE VEHICLE UPGRADE SERIES PE16037

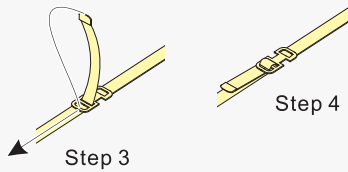
安装示例
Typical installation



B19

Step 1

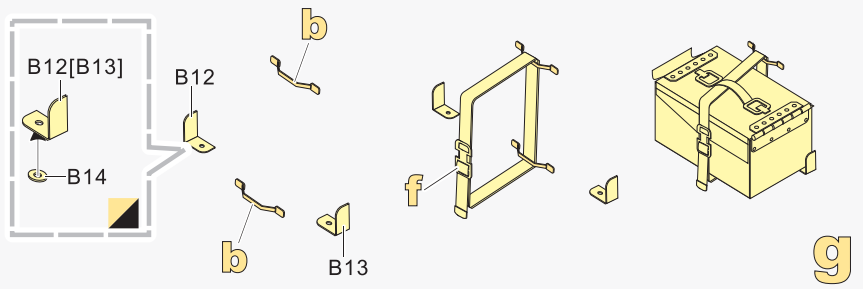
Step 2



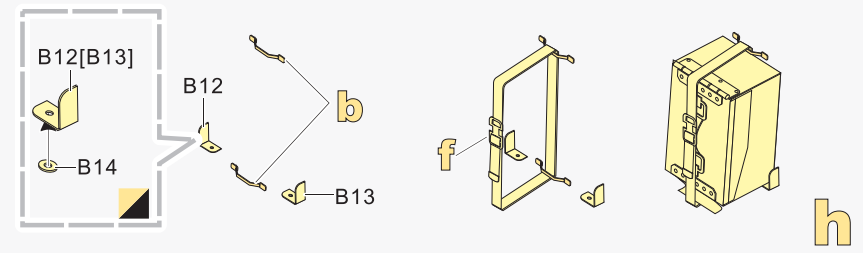
Step 3

Step 4

f



g

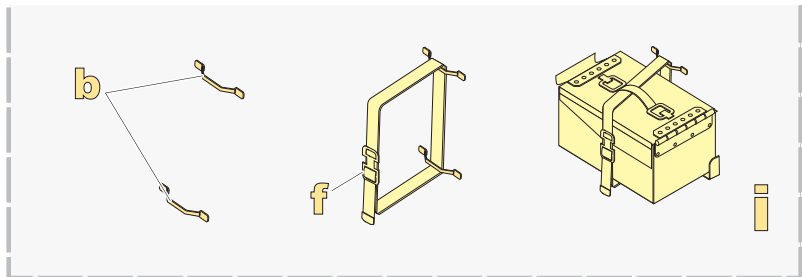


h

[Http://www.voyagermodel.com/productdetails.asp?itemid=PE16037](http://www.voyagermodel.com/productdetails.asp?itemid=PE16037)



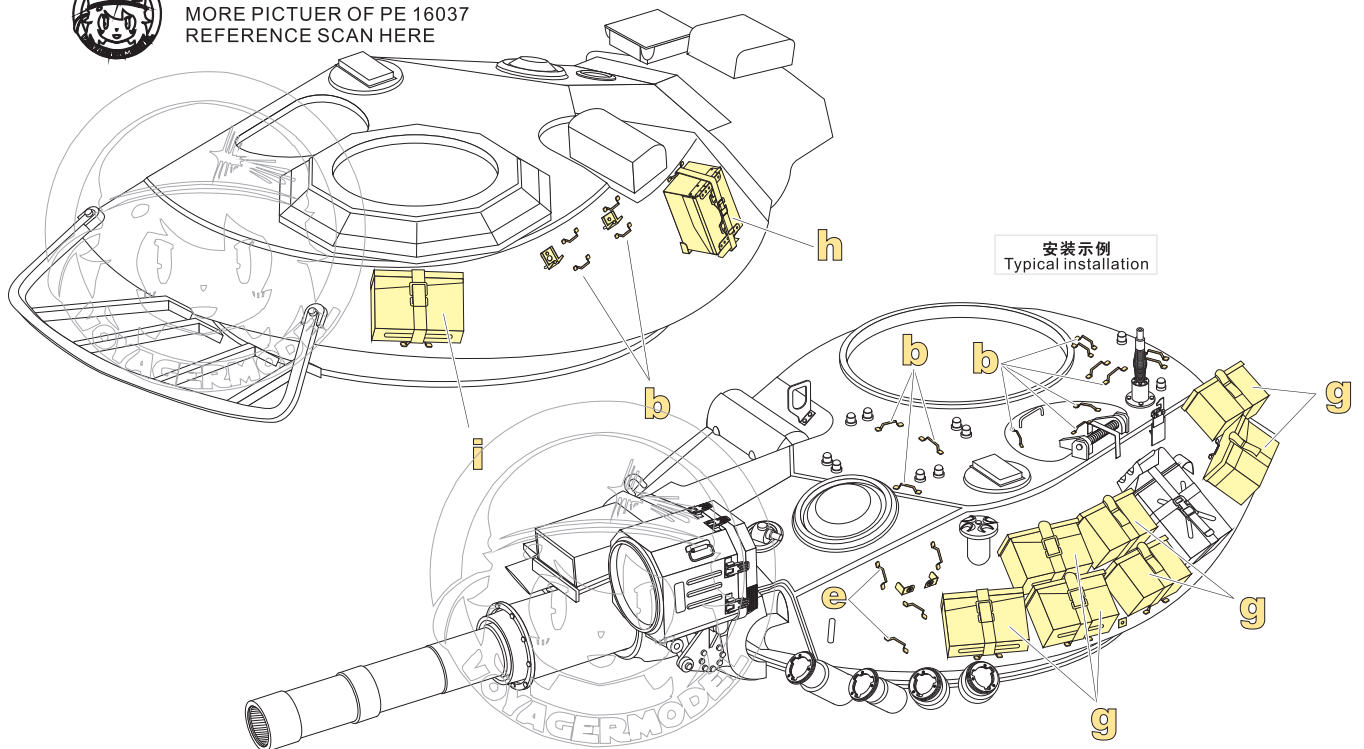
**VOYAGER
MODEL**



i



更多PE16037样品照片参考请扫一扫
MORE PICTUER OF PE 16037
REFERENCE SCAN HERE



安装示例
Typical installation

VOYAGERMODEL® 无微不至 极尽享受

Recommended item

PE 16034	Modern US M551 Sheridan Airborne Tank Turret Amourrs
PE 16035	Modern US M551 Sheridan Airborne Tank Grills
PE 16036	Modern US M551 Sheridan Airborne Tank Basic
PE 16037	Modern US M551 Sheridan Airborne Tank Road Wheel Details&Ammo Boxes